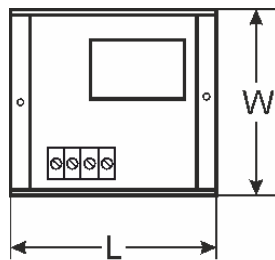
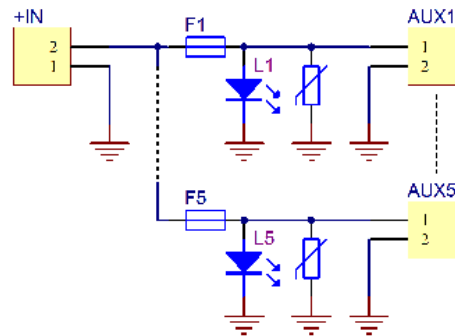


CODE: **AWZ536** v.1.1/VIII
NAME: **LB5/5x0,5A/2,5/AW fuse module**

EN

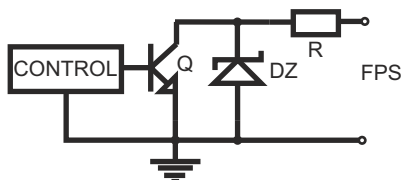


DESCRIPTION

The **LB5/5x0.5A/2.5/AW** fuse module is designed for power distribution in low-voltage systems requiring voltage of **10V÷30V DC** or **10V÷24V AC** (e.g. buffer power supply, transformer etc.). It is fitted with the IN input for power supply and 5 independently protected AUX1÷AUX5 power supply outputs. Each AUX output is equipped with short circuit protection (SCP): melting fuse F 0.5A or PTC 0.5A polymer fuse as well (the possibility of using 1A fuses, not supplied) as with overvoltage protection - varistors. Output state is indicated by 5 L1 ÷ L5 LEDs. Fuse failure is indicated by turning off the appropriate LED: L1 for AUX1, L2 for AUX2 etc. Additionally, in the case of failure, the FPS output (Hi-Z state) and the L_{FPS} LED are switched on. The FPS output can be used for remote control of a module e.g. external optical indication. The module is adapted for connection of cables with a maximum cross section of **2,5mm²**.

SPECIFICATIONS

Supply voltage	10V÷ 30V DC (-2%/+2%) 10V÷ 24V AC (-2%/+2%)
Output voltage	$U_{AUX} = U_{IN}$ (equal to supply voltage)
Current consumption	6mA ÷ 41mA @ $U_{in}=10 \div 30V$ DC 10mA ÷ 32 mA @ $U_{in}=10 \div 24V$ AC
Number of power inputs	1 (IN terminals) – max. 2,5mm² cable
Number of power outputs	5 (AUX terminals) – max. 2,5mm² cable
Protections against: - a short circuit SCP - an overload OLP - a surge	- 5 x F 0,5A fuse or PTC 0,5A (the possibility of using 1A fuses, not supplied) - varistors
LED indication	- green LED L1 ÷ L5 – status of the AUX1÷AUX5 outputs - red LED L _{FPS} – indicates failure
F1 ÷ F5 fuses	F 0,5A or PTC 0,5A
Operating conditions	II environmental class, -10°C ÷ 50°C
Dimensions	L=150, W=43, H=30 (+/-2mm)
Installation	A mounting panel with an adhesive tape, mounting screws x 2 (holes 3mm)
Connectors: - power supply input/output, technical output	$\Phi 0,51 \div 2,05$ (AWG 24-12) 0,5 ÷ 2,5mm ²
Net/gross weight	0,09kg / 0,12kg
Declarations, warranty	CE, 2 year from the production date



Electrical diagram of the OC output.