

VTM04R4

VTM04R4 Rain Cover



- Surface-mounted rain cover for two 2-module VTO4202F

Technical Specification

Performance

Casing Steel

General

Color Silver

Installation Surface mount

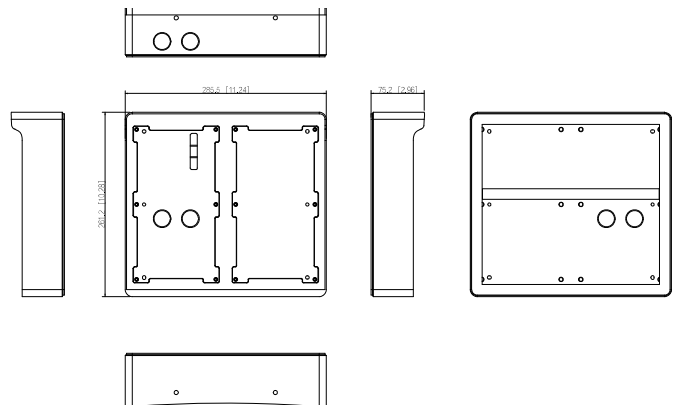
Dimensions 261.2 mm × 285.5 mm × 75.2 mm
(10.28" × 11.24" × 2.96")

Protection Grade IP65 (silicone sealant is needed)

Net Weight 2.6 kg

Gross Weight 3.1 kg

Dimensions (mm[inch])



Ordering Information

Type	Model	Description
VTO Rain Cover	VTM04R4	Surface-mounted Rain Cover for Multiple 2-module VTO4202F

Installation

