

Analytics Kit

NVR5-VAL-ANK
NVR5-VAL-ANK-PLUS

For:
NVR5 Value (NVR5-VAL)

© 2023, Avigilon Corporation. All rights reserved. AVIGILON, the AVIGILON logo, AVIGILON CONTROL CENTER, ACC, and AVIGILON APPEARANCE SEARCH are trademarks of Avigilon Corporation. Other names or logos mentioned herein may be the trademarks of their respective owners. The absence of the symbols ™ and ® in proximity to each trademark in this document or at all is not a disclaimer of ownership of the related trademark.

This document has been compiled and published using product descriptions and specifications available at the time of publication. The contents of this document and the specifications of the products discussed herein are subject to change without notice. Avigilon Corporation reserves the right to make any such changes without notice. Neither Avigilon Corporation nor any of its affiliated companies: (1) guarantees the completeness or accuracy of the information contained in this document; or (2) is responsible for your use of, or reliance on, the information. Avigilon Corporation shall not be responsible for any losses or damages (including consequential damages) caused by reliance on the information presented herein.

Avigilon Corporation
avigilon.com

Revision: 1 - EN

20230620

Table of Contents

Introduction	4
Installing the Analytics Kit into the NVR5-VAL	5
Updating the Windows OS Driver and Configuring the NVR	8

Introduction

Install the Analytics Kit for NVR5 Value recorders (NVR5-VAL-ANK and NVR5-VAL-ANK-PLUS) to use the Avigilon Control Center (ACC™) video analytics features.

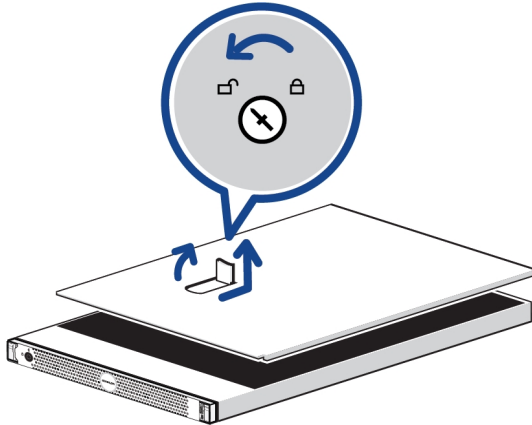
Installation of the Analytics Kit is a four-step procedure:

1. Install the physical kit into the device.
2. Run the Configuration Tool for the Analytics Kit.
3. Install the latest version the ACC software used at your site.

Installing the Analytics Kit into the NVR5-VAL

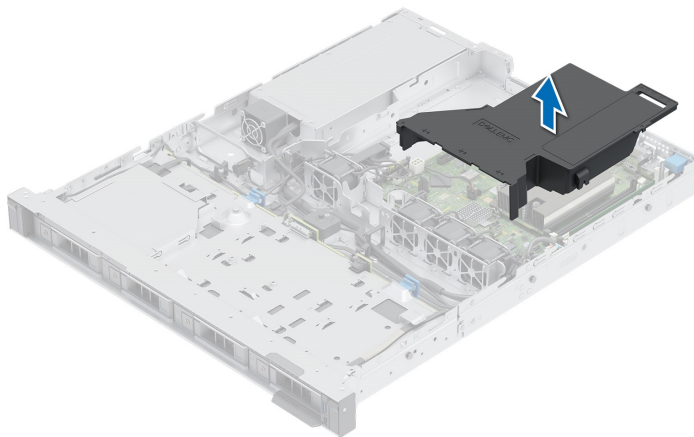
1. Make sure the recorder is turned off.
 - All network, power, and peripheral cables are disconnected from the recorder.
 - Use a static mat or static strap to ground yourself against static shock.
2. At the top of the recorder, unlock the latch release then lift and rotate the latch towards the back of the recorder.

The cover slides back and is released from the recorder body.

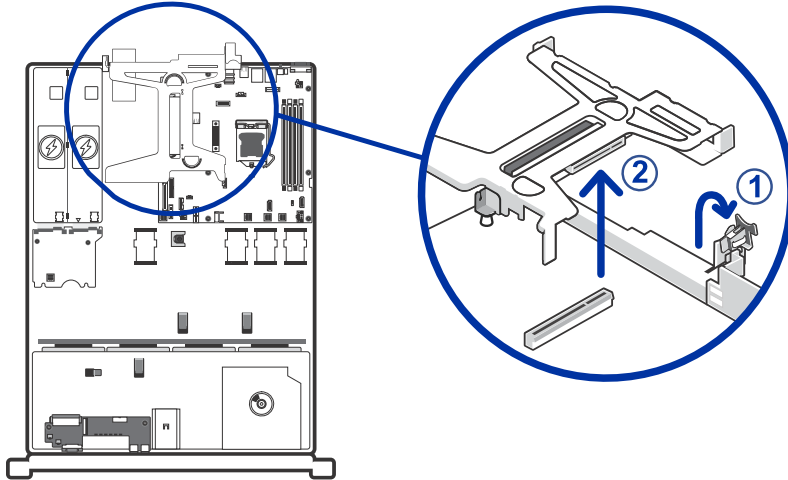


Important: Inside the recorder, cables from the RAID controller (PERC) may be obstructing access to the expansion card riser. There should be enough room to install the analytics kit without disconnecting the cable, but be careful not to pull or put strain on the PERC cable during the installation process.

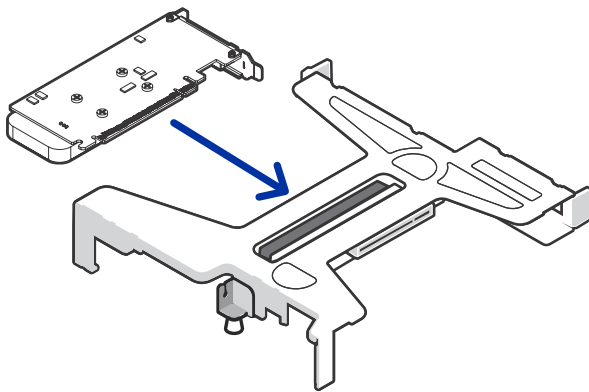
3. Hold the air shroud from both sides and lift it out of the recorder.



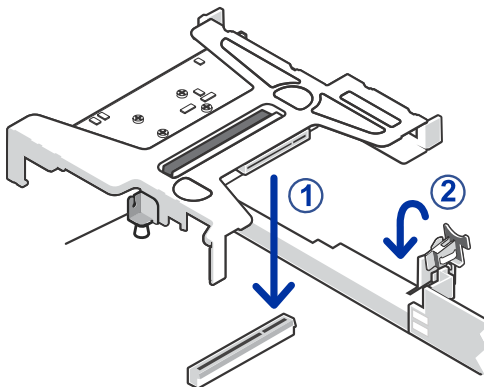
4. At the back of the recorder, locate the expansion card riser.



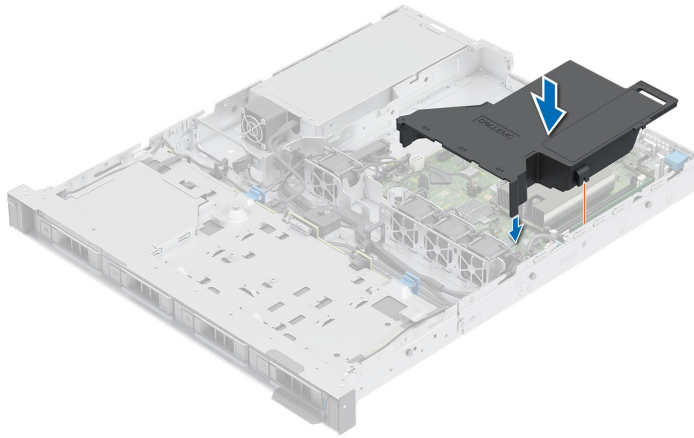
5. Lift and rotate the expansion card latch to open it.
6. Remove the expansion card riser by lifting it up from the riser connector. Take care not to disturb the cable connected to the existing PERC card in slot 1 when moving the riser.
7. Insert and press the NVR Analytics Kit into the appropriate expansion riser slot.



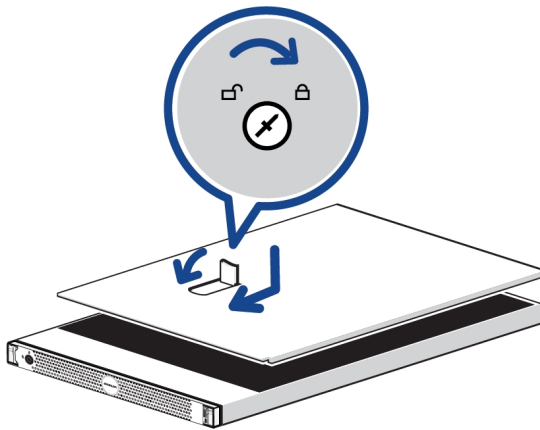
8. Push the expansion card riser back into place and close the expansion card latch.



9. Align the slot on the air shroud with the standoff on the recorder. Then lower the air shroud until it is firmly seated in place.



10. Close and lock the recorder cover.



11. Reconnect all the cables and turn on the recorder.

12. Proceed to install the required Windows driver for the NVR Analytics Kit. See *Updating the Windows OS Driver and Configuring the NVR* on the next page.

Updating the Windows OS Driver and Configuring the NVR

You must reconfigure the GPU before installing the ACC Analytics Service software. It is recommended to download the latest GPU drivers from NVIDIA's website. After it is installed, Avigilon Analytics functionality will be automatically configured on the NVR to operate with the Avigilon Control Center software.

1. Download the latest GPU drivers from NVIDIA's website. Update the driver software for the version of the Windows operating system on your NVR.

2. Navigate to the **GPU Configuration Tool**, which is located on your system at:

```
C:\Avigilon\3rdPartyInstallers\GPU Configuration Tool
```

3. Right-click **GPU Configuration Tool.exe** and select **Run as administrator**.

Allow the Configuration Tool to run and finish. You will see several processing messages as the system is reconfigured for the new GPU provided with the Analytics Kit.

The process takes under ten minutes. After it completes the NVR will automatically restart.

After the Analytics Kit has been installed and configured, you can download, install and run the latest version of the Avigilon Control Center software.

Limited Warranty

Avigilon warranty terms for this product are provided at [avigilon.com/warranty](https://www.avigilon.com/warranty).