

DH-PFB5201C

In-ceiling Mount Bracket



- Supports in-ceiling mount installation and is applicable to large-size dome cameras.
- Easy to install and aesthetically pleasing.
- Designed for easy disassembly and maintenance.



Scene

Ideal for mounting cameras, it works in temperatures ranging from -40°C to $+60^{\circ}\text{C}$ (-40°F to $+140^{\circ}\text{F}$) and in environments with relative humidity of less than 90%.

Technical Specification

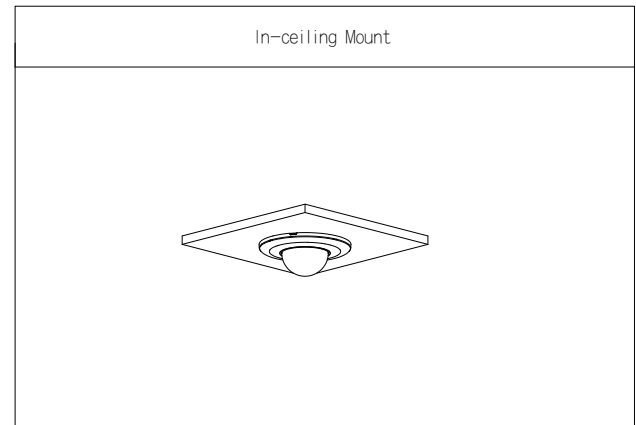
Structure

Product Material	SECC, PC
Product Dimensions	$\Phi 211.5\text{ mm} \times 109.7\text{ mm}$ ($\Phi 8.33'' \times 4.32''$)
Appearance Color	White
Net Weight	0.55 kg (1.21 lb)
Gross Weight	0.83 kg (1.83 lb)
Load Bearing	3.0 kg (6.61 lb)
Installation	In-ceiling Mount
Rotation Angle	Pan: 0° to 360°
Applicable Model	Please see "Camera Accessories Selection"
Packaging Dimensions	$266.0\text{ mm} \times 266.0\text{ mm} \times 138.0\text{ mm}$ ($10.47'' \times 10.47'' \times 5.43''$) (L x W x H)
Transport Package Dimensions	$719.0\text{ mm} \times 553.0\text{ mm} \times 298.0\text{ mm}$ ($28.31'' \times 21.77'' \times 11.73''$) (L x W x H)
Packaging Method	10 pcs in each carton

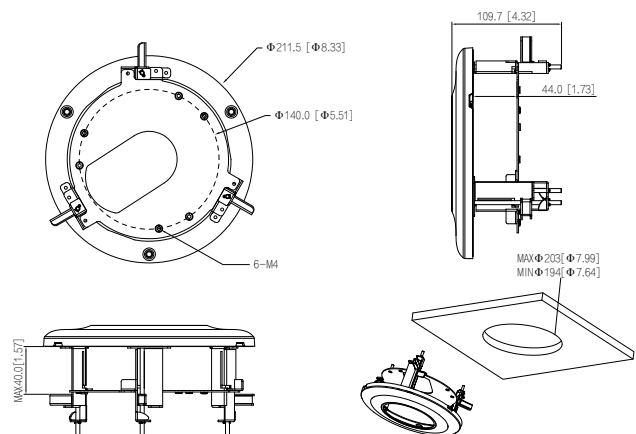
Environment

Operating Temperature	-40°C to $+60^{\circ}\text{C}$ (-40°F to $+140^{\circ}\text{F}$)
Operating Humidity	< 90% (RH)
Storage Temperature	-40°C to $+60^{\circ}\text{C}$ (-40°F to $+140^{\circ}\text{F}$)
Storage Humidity	10%–90% (RH)

Installation



Dimensions (mm[inch])



Package Information

- In-ceiling mount bracket × 1
- Installation Guide × 1
- M4×14 screw × 3
- S3.0 wrench × 1