

DS-2DF8836I5X-AELW

8 MP 36x Network Outdoor Laser Speed Dome



- 2/3" Progressive Scan CMOS
- Up to 4096 × 2160 Resolution
- Minimum Illumination:
Color: 0.005 Lux @ (f/1.5, AGC On)
B/W: 0.0005 Lux @ (f/1.5, AGC On)
0 Lux with IR
- 36× Optical Zoom, 16× Digital Zoom
- Digital WDR, 3D DNR, HLC, Smart IR
- 24 VAC and Hi-PoE
- Up to 1,640' (500 m) Laser Illumination Distance
- H.265+/H.265 Video Compression
- Deep Learning-Based Target Algorithm for Auto-Tracking and Perimeter Protection

Hikvision's DS-2DF8836I5X-AELW 8 MP 36× Network Outdoor Laser Speed Dome uses a 2/3" progressive scan CMOS chip. Outfitted with a 36× optical zoom lens, the camera offers enhanced details over expansive areas.

This camera can be widely used for a wide range of situations that require high-definition images such as rivers, forests, roads, railways, airports, ports, squares, parks, scenic spots, stations, large venues, etc.

Available Models:

DS-2DF8836I5X-AELW



Specifications

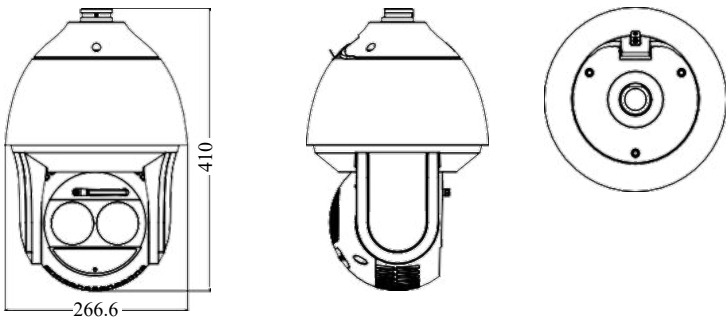
Camera Module

Image Sensor	2/3" progressive scan CMOS
Minimum Illumination	Color: 0.005 lux @ (f/1.5, AGC on) B/W: 0.0005 lux @ (f/1.5, AGC on) 0 lux with IR
Shutter Speed	1/1 s to 1/30,000 s
White Balance	Auto/manual/ATW (auto-tracking white balance)/indoor/outdoor/fluorescent lamp/sodium lamp
AGC	Auto/manual
Day/Night	IR cut filter
Digital Zoom	16×
Privacy Mask	24 programmable polygon privacy masks
Focus Mode	Auto/semi-automatic/manual
3D DNR	Supported
BLC	Supported
HLC	Supported
Digital WDR	Supported
Optical Defog	Supported
EIS	Supported
Regional Exposure	Supported
Regional Focus	Supported
Lens	
Focal Length	7.5 mm to 270 mm, 36× Optical
Zoom Speed	Approximately 7.8 s (optical lens, wide-tele)
Field of View	Horizontal field of view: 56.1° to 2.0° (wide-tele); vertical field of view: 33.4° to 1.1° (wide-tele); diagonal field of view: 62.9° to 2.3° (wide-tele)
Working Distance	10 mm to 1500 mm (wide-tele)
Aperture Range	f/1.5 to f/4.5
PTZ	
Pan Movement Range	360° endless
Pan Speed	Configurable, from 0.1°/s to 210°/s; preset speed: 280°/s
Tilt Movement Range	-20° to 90° (auto-flip)
Tilt Speed	Configurable, from 0.1°/s to 150°/s, preset speed: 250°/s
Proportional Zoom	Supported
Presets	300
Patrol Scan	8 patrols, up to 32 presets for each patrol
Pattern Scan	4 pattern scans, record time over 10 minutes for each scan
Power-Off Memory	Supported
Park Action	Preset/pattern scan/patrol scan/auto scan/tilt scan/random scan/frame scan/panorama scan
PTZ Status Display	Supported
Preset Freezing	Supported
Scheduled Tasks	Preset/pattern scan/patrol scan/auto scan/tilt scan/random scan/frame scan/panorama scan/dome reboot/dome adjust/aux output
Smart Features	
Perimeter Protection	Intrusion, line crossing, region entrance, region exiting. Supports alarm triggering by specified target types (human and vehicle). Filtering out mistaken alarm caused by target types such as leaf, light, animal, flag, etc.
Event Detection	Face Detection, Audio Exception Detection
Smart Tracking	Manual tracking, auto tracking (supports tracking specified target types such as human and vehicle), event tracking
Smart Record ROI	ANR (Automatic Network Replenishment), Dual-VCA Supported
Laser	
Laser Distance	500 m
Network	
Maximum Resolution	4096 × 2160
Main Stream	30 fps (4096 × 2160, 3840 × 2160, 3072 × 1728, 2560 × 1440, 2048 × 1536, 1920 × 1080, 1280 × 960, 1280 × 720)
Sub-Stream	30 fps (704 × 480, 640 × 480, 352 × 240)
Third Stream	30 fps (1920 × 1080, 1280 × 960, 1280 × 720, 704 × 480, 640 × 480, 352 × 240)
ROI	Supported
SVC	Supported
Video Compression	Main Stream: H.265+ /H.265/H.264+ /H.264 Sub-Stream: H.265/H.264/MJPEG Third Stream: H.265/H.264/MJPEG H.264 with Baseline/Main/High Profile
Audio Compression	G.711alaw/G.711ulaw/G.722.1/G.726/MP2L2/PCM
Protocols	IPv4/IPv6, HTTP, HTTPS, 802.1x, QoS, FTP, SMTP, UPnP, SNMP, DNS, DDNS, NTP, RTSP, RTCP, RTP, TCP/IP, DHCP, PPPoE, Bonjour
Simultaneous Live View	Up to 20 channels
User/Host	Up to 32 users 3 levels: Administrator, Operator, and User
Security Measures	User authentication (ID and PW), host authentication (MAC address); HTTPS encryption; IEEE 802.1x port-based network access control; IP address filtering

Specifications (continued)

System Integration	
Alarm Interface	7-ch alarm input/2-ch alarm output
Audio Interface	1-ch audio input (applicable microphone, plug-in power type), 2 to 2.4 V(p-p), 1K Ω \pm 10% 1-ch audio output, line level, impedance: 600 Ω
Alarm Linkage	Alarm actions such as preset, patrol scan, pattern scan, memory card video record, trigger recording, notify surveillance center, upload to FTP/memory card/NAS, send e-mail, etc.
Network Interface	1 RJ-45 10 M/100 M Ethernet interface; Hi-PoE
CVBS	Supported
Storage	Built-in memory card slot, supports microSD/SDHC/SDXC, up to 256 GB; NAS (NPS, SMB/CIFS), ANR
API	Open-ended, supports ONVIF, CGI, supports HIKVISION SDK and third-party management platforms
Client	iVMS-4200, iVMS-4500, Hik-Connect
Web Browser	IE 8 to 11, Chrome 31.0 to 44, Firefox 30.0 to 51
General	
Power	24 VAC (maximum 60 W), Hi-PoE (maximum 50 W)
Working Temperature	-40° to 70° C (-40° to 158° F)
Working Humidity	\leq 90%
Protection Level	IP67 standard, TVS 6,000V lightning protection, surge protection, and voltage transient protection
Dimensions	Φ 266.6 mm \times 410 mm (Φ 10.50" \times 16.14")
Weight (Approximate)	8 kg (17.64 lb)

Dimensions (unit: mm)



Accessories

NOT INCLUDED						
JBPW-L Power Box Mount w/Wall Bracket	CMP-JB Corner Mount for JBPW-L	PMP-JB Pole Mount for JBPW-L	CPM-S Short Ceiling Pendant Mount	CPM-L Long Ceiling Pendant Mount	CPMPE Ceiling Pendant Mount Extension Pipe	RPM Roof Parapet Mount