

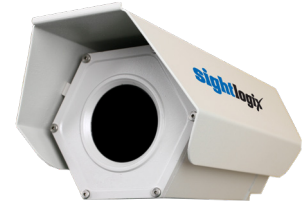
SightSensor GT (International)

Smart Thermal Detection Camera

sightlogix
making outdoor video... *smarter*

Outstanding Thermal Intruder Detection

The SightSensor GT is a smart thermal camera that detects, analyzes and communicates real-time intruder activity over site perimeters and buffer zones. The GT works at the edge and includes powerful video processing, geo-aware video analytics, thermal AI nuisance alarm filtering, automatic stabilization, exceptional thermal clarity, and a toolbox of filters to optimize outdoor intruder detection performance.



FEATURES

- ✔ Powerful image processing
- ✔ Geospatial video analytics
- ✔ Outstanding thermal image clarity

BENEFITS

- ✔ Accurate detection, extended range, low false alarms
- ✔ Higher detection accuracy, lower false alarms
- ✔ Nighttime surveillance without lighting

PROCESSING YIELDS OUTSTANDING THERMAL DETECTION AND CLARITY



AVAILABLE ACCESSORIES

Mounts

Wall and pole mounts available. Refer to the *SightLogix Accessories* datasheet.

SightMonitor II

Site management and GPS target display software. Refer to the *SightLogix SightMonitor II* datasheet.

SightTracker PTZ

Smart AI people tracker. Refer to the *SightLogix SightTracker PTZ* datasheet.

ORDERING INFORMATION

Part Number	Inbound Detection	FOV	Focal Length
GT690-020	75m / 246 ft	90°	7.5 mm
GT670-020	100m / 328 ft	70°	9 mm
GT650-020	145m / 475 ft	50°	13 mm
GT632-020	220m / 722 ft	32°	19 mm
GT624-020	300m / 984 ft	24°	25 mm
GT617-020	410m / 1345 ft	17°	35 mm
GT612-020	595M / 1952 ft	12°	50 mm

Crossfield detection may be up to 50% further, depending on application conditions.

PN 6-200022-004 Dec 2023

Specifications

Imager and Video Output

Detector: Un-cooled VOx Microbolometer, 17 micron
Resolution: 640x480 (fixed lens)
Dynamic Range: 14 bit digital sensor interface
Sensitivity (NETD): 40mk/f1.0/25°C
Frame Rate: Up to 25 FPS; user configurable
Video Output: H.264, MPEG-4 (Simple Protocol), MJPEG

Video Analytics

Video Analytic Rules (Up to 64 individual Alarm Zones)
 Motion Tracking, From/To Zones, Target Size Filtering, Wrong-Way Direction, Loitering, Object Left Behind, Speed, Time of Day, Mask Zones, Shock Detection

Thermal AI Filter Options: "None", "Everything Except Person and Vehicle," "Everything Except Person," "Everything Except Vehicle".

Onboard Storage - Built-in microSD slot (card not supplied; high-endurance cards strongly recommended). Stored clips accessed via WebConfig.

Target Object Parameters

Time, alarm state, creation time, GPS position, size, heading, speed, aspect ratio, and alarm zone

Electrical

Power Requirements:

Without Window Heater:
 -12W, 24VAC +/- 10% or PoE IEEE 802.3af
 With Window Heater (24VAC only):
 -32W 24VAC (1.5 amps)

I/O Connectors: RJ45 (Ethernet), SMB (video in & out), terminal blocks for RS422/RS232, power, relay out

Relay Out: Max current: 0.3A, Max voltage 24VDC

Target Tracking Output

Communications

Metadata via industry standard XML over a HTTP/HTTPS interface for 3rd-party integration

SightTracker (optional)

Provides detected targets' GPS coordinates to automatically position supported PTZ cameras for continual tracking

Network

Ethernet Wired

100 RJ45, IEEE 802.3, 802.3i, 802.3u

Data Rate: 64 kbps to 8 Mbps

Operating Mode: 100 Mbps - Full-duplex, Half-duplex

Protocols: DHCP, IPv4, HTTP, HTTPS, SSL, SLP, DNS, NTP, RTSP, RTP, TCP, UDP, IGMP, RTCP, ICMP, ARP

Configuration: Browser-based WebConfig (SightMonitor II for site-wide management)

Camera Enclosure

Weight: 2.1 kg (4.6 lbs.)

Mounting

3 x 1/4-20 UNC bolts

Dimensions

30.7 cm L x 14.7 cm W x 14.0 cm H

Powder Coat Rating

1000 sea-spray hours

Enclosure: IP66

Environmental

Operating Temperature

-40° to +60°C (-40° to +140°F)

Safety Compliance

FCC Part 15, Class A, CE

Operating Relative Humidity

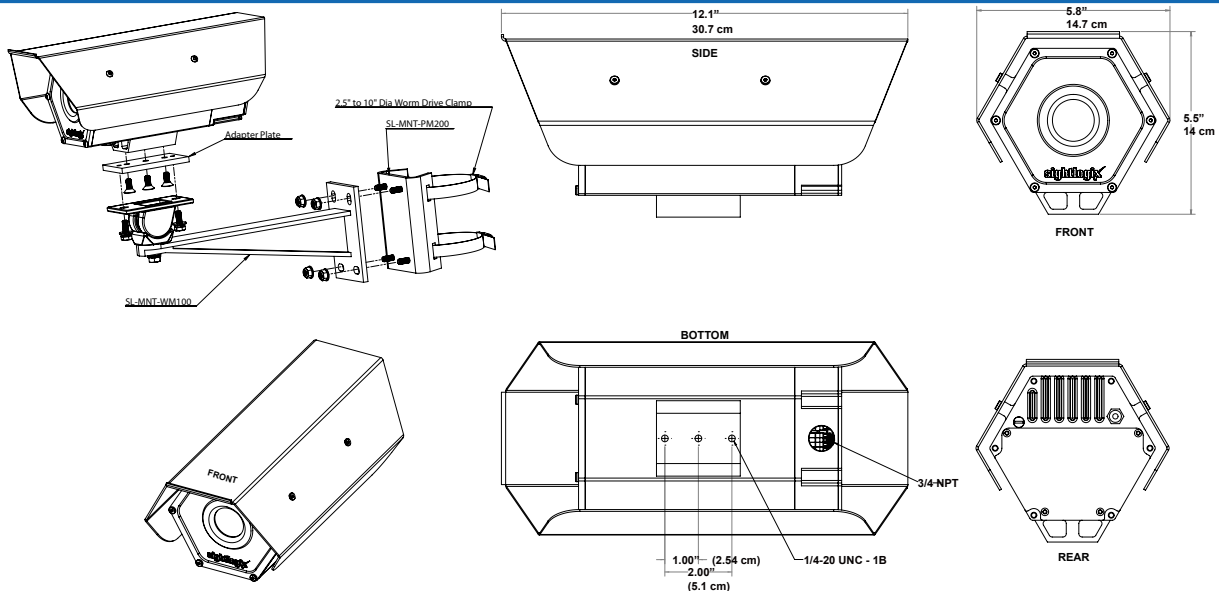
0 to 100%

Storage Temperature

-40° to +80°C (-40° to 176°F)

Storage Relative Humidity

0-95%, non-condensing



Specifications are subject to change without notice. © SightLogix, Inc. SightLogix, SightSensor and SightMonitor are registered trademarks of SightLogix, Inc. Equipment described herein is subject to US export regulations and may require a license prior to export. Diversion contrary to US law is prohibited.

745 Alexander Road | Princeton, NJ 08540 | p +1 609.951.0008 | f 609.951.0024 | www.sightlogix.com