

# PSC series power supply

## Power supply 12V DC, IP67



CODE: **PSC12010** v1.0/X  
 TYPE: **PSC 12V/1A/55MM Power supply**

EN\*

### Features:

- power output 1A/12VDC\*
- universal AC voltage range 90÷264V
- high efficiency 78%
- standby power <0,3W
- efficiency class: V
- IP 67 enclosure
- protections:
  - short-circuit protection SCP
  - surge protection (AC input)
  - overload protection OLP
- warranty – 2 year from the production date



### DESCRIPTION

The PSU is intended for 230V AC mains supply to CCTV cameras that require stabilised voltage of **12V DC**. The unit is protected against a short circuit and an overload and a surge.

### SPECIFICATIONS

Supply voltage	90 ÷ 264V AC 50÷60Hz
Current consumption	0,13A@230VAC max.
Supply power	12W max.
Efficiency	78%
Output voltage	12VDC
Output current $t_{AMB}<30^{\circ}C$	<b>1A instantaneous current - refer to graph 1.</b>
Output current $t_{AMB}=40^{\circ}C$	<b>0,7A - refer to graph 1.</b>
Ripple voltage	100mV p-p max.
Short-circuit protection SCP	electronic, automatic recovery
Overload protection OLP	105-150% of power supply, automatic recovery
Overvoltage protection	varistor (AC input)
IP protection class	IP67
Operation conditions	temperature $0^{\circ}C \div 40^{\circ}C$ relative humidity 20%...90%
Dimensions (LxWxH)	50 x 48 x 25 [mm]
Net/gross weight	0,09kg / 0,125kg
Protection class PN-EN 60950-1:2007	II (second)
Length of DC cable	0,5 m + plug DC5,5/2,1 female
Length of AC cable	0,3 m
Storage temperature	$-20^{\circ}C \dots +60^{\circ}C$

\* In order to extend the life of the power supply, the load current of 0,7A is recommended.

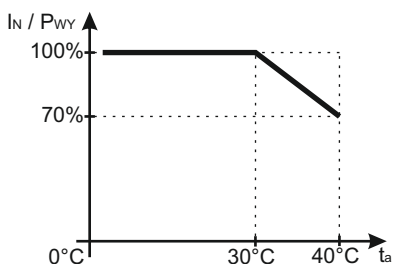


Chart 1.  
Relation between output current and ambient temperature (instantaneous load).

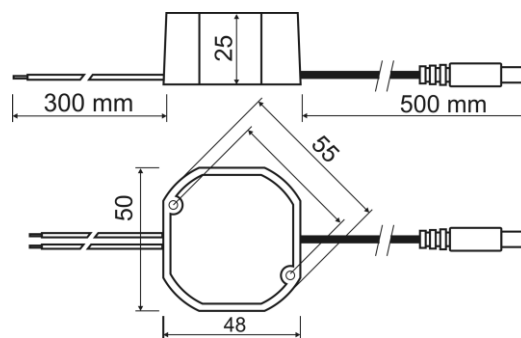
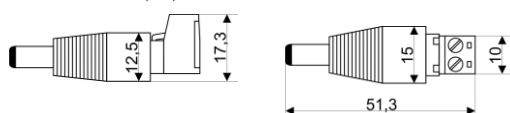


Fig.1 Mechanical view and dimensions of the PSU.

### ACCESSORIES

#### ACCESSORIES:

[1] adapter CABLE - PLUG DC 5,5/2,1 - code ML109



Available accessories for the power supplies are: fuse blocks and cable adapters. For details – visit [www.pulsar.pl](http://www.pulsar.pl)

\* Refer to graph 1