

8MP HD ColorHunter With Smart Dual Light Fixed Turret Network Camera

IPC3618LB-ADF28K-DL-BLACK



Features

- High quality image with 8 MP, 1/2.7" CMOS sensor
- 8 MP (3840 × 2160)@20 fps; 5 MP (3072 × 1728)@30/25 fps; 4 MP (2560 × 1440)@30/25 fps; 1080P (1920 × 1080)@30/25 fps
- Ultra 265, H.265, H.264, MJPEG
- 120 dB true WDR technology enables clear image in strong light scene
- Supports 9:16 corridor mode
- Built-in mic
- Smart IR, up to 30 m (98.4 ft.) IR distance
- MicroSD, up to 512 GB
- IP67 protection

- Supports PoE power supply
- 3-axis

Specifications

Model	IPC3618LB-ADF28K-DL-BLACK
Camera	
Max Resolution	8 MP
Sensor	1/2.7" CMOS
Min. Illumination	Color: 0.005 Lux (F1.6, AGC ON), 0 Lux with light
Day/Night	IR-cut filter with auto switch (ICR)
Shutter	Auto/Manual, 1 ~ 1/100000s
Adjustment Angle	Pan: 0° to 360°, Tilt: 0° to 80°, Rotate: 0° to 360°
S/N	>56 dB
WDR	120 dB
Lens	
Focal Length	2.8 mm
Iris Type	Fixed
Iris	F1.6
Field of View (H)	100.8°
Field of View (V)	55.8 °
Field of View (D)	105.7°
Lens Type	Fixed

DORI	
DORI Distance (Lens)	2.8 mm
DORI Distance (Detect)	84.0 m (275.6 ft.)
DORI Distance (Observe)	33.6 m (110.2 ft.)
DORI Distance (Recognize)	16.8 m (55.1 ft.)
DORI Distance (Identify)	8.4 m (27.6 ft.)
Illuminator	
Supplemental Light	Dual light
Illumination Distance (IR)	30 m (98.4 ft.)
Illumination Distance (Warm Light)	30 m (98.4 ft.)
Wavelength	850 nm
Light On/Off Control	Auto/Manual
Video	
Video Compression	Ultra 265, H.265, H.264, MJPEG
H.264 Code Profile	Baseline profile, Main profile, High profile
Frame Rate	Main Stream: 8 MP (3840 × 2160), max. 20 fps; 5 MP (3072 × 1728), max. 30 fps; 4 MP (2560 × 1440), max. 30 fps; 1080P (1920 × 1080), max. 30 fps; 720P (1280 × 720), max. 30 fps;

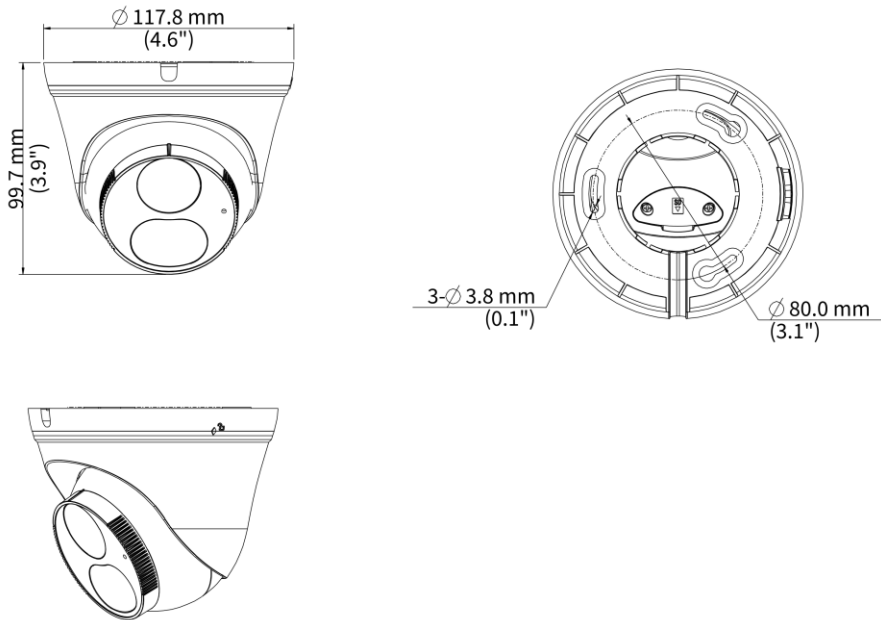
	Sub Stream: 1080P (1920 × 1080), max. 30 fps; 720P (1280 × 720), max. 30 fps; D1 (720 × 576), max. 30 fps; 640 × 360, max. 30 fps; 2CIF (704 × 288), max. 30 fps; CIF (352 × 288), max. 30 fps;
Video Bit Rate	128 Kbps to 16 Mbps
U-code	Support
OSD	Up to 4 OSDs
Privacy Mask	Up to 4 areas
ROI	Support
Video Stream	Dual streams
Image	
White Balance	Auto, Outdoor, Fine tune, Sodium lamp, Locked, Auto2, Area white balance
Digital Noise Reduction	2D/3D DNR
Smart IR	Support
Flip	Normal, Flip vertical, Flip horizontal, 180°, 90° Clockwise, 90° Anti-clockwise
Dewarping	N/A
HLC	Support
BLC	Support
Defog	Digital defog
Image Stabilization	N/A
Events	
Basic Detection	Motion detection, Ultra motion detection (based on human body and vehicle

	<i>detection), Tampering alarm, Audio detection</i>
<i>General Function</i>	<i>Watermark, IP address filtering, Access policy, ARP protection, RTSP authentication, User authentication, HTTP authentication</i>
<i>Audio</i>	
<i>Audio Compression</i>	<i>G.711U, G.711A</i>
<i>Audio Bitrate</i>	<i>64 Kbps</i>
<i>Two-way Audio</i>	<i>N/A</i>
<i>Suppression</i>	<i>Support</i>
<i>Sampling Rate</i>	<i>8 kHz</i>
<i>Storage</i>	
<i>Edge Storage</i>	<i>MicroSD, up to 512 GB</i>
<i>Network Storage</i>	<i>ANR, NAS (NFS)</i>
<i>Network</i>	
<i>Protocols</i>	<i>IPv4, IGMP, ICMP, ARP, TCP, UDP, DHCP, RTP, RTSP, RTCP, RTMP, DNS, DDNS, NTP, FTP, UPnP, HTTP, HTTPS, SMTP, SSL/TLS, SNMP, QoS, 802.1x</i>
<i>Compatible Integration</i>	<i>ONVIF (Profile S, Profile G, Profile T), API, SDK</i>
<i>User/Host</i>	<i>Up to 32 users. 3 user levels: administrator, common user and operator</i>
<i>Security</i>	<i>Password Protection, Strong Password, HTTPS Encryption, Export Operation Logs, Basic and Digest Authentication for RTSP, Digest Authentication for HTTP, TLS 1.2, WSSE and Digest Authentication for ONVIF</i>
<i>Client</i>	<i>EZStation, APP</i>

Web Browser	<p>Plug-in required live view: IE 10+, Chrome 45+, Firefox 52+, Edge 79+,</p> <p>Plug-in free live view: Chrome 57+, Firefox 58+, Edge 16+</p>
Interface	
Audio I/O	N/A
Alarm I/O	N/A
Serial Port	N/A
Built-in Mic	Support
Built-in Speaker	N/A
WIFI	N/A
Network	1 x RJ45 10 M/100 M Base-TX Ethernet
Video Output	N/A
Certification	
EMC	<p>CE-EMC (EN 55032, EN 61000-3-3, EN IEC 61000-3-2, EN 50130-4)</p> <p>FCC (FCC 47 CFR part15 B)</p>
Safety	<p>CE LVD (EN 62368-1)</p> <p>UL/CUL (UL 62368-1, CAN/CSA C22.2 No. 62368-1)</p>
Environment	<p>CE-RoHS (2011/65/EU;(EU)2015/863)</p> <p>WEEE (2012/19/EU)</p> <p>Packaging and Packaging Waste (94/62/EC)</p>
Protection	IP67 (IEC 60529)
General	

Power Consumption	Max. 5.4 W
Power	DC 12 V \pm 25%, PoE (IEEE 802.3af)
Power Interface	\varnothing 5.5 mm coaxial power plug
Dimensions	\varnothing 117.8 mm \times 99.7 mm (\varnothing 4.6" \times 3.9") (\varnothing \times H)
Weight	0.31 kg (0.68 lb.)
Material	Metal + Plastic
Storage Environment	-30 °C to 60 °C (-22 °F to 140 °F), Humidity: \leq 95% RH (non-condensing)
Working Environment	-30 °C to 60 °C (-22 °F to 140 °F), Humidity: \leq 95% RH (non-condensing)
Surge Protection	4 KV
Reset Button	N/A
Web Client Language	13 Languages: English, Simplified Chinese, Polish, German, Russian, French, Korean, Dutch, Czech, Portuguese, Spanish, Spanish (Europe), Italian

Dimensions



Accessories

TR-JB03-I-IN

Junction Box for Plastic Turret
Camera(Support wiring from
behind)



TR-CM24-IN

Dome Pendant Mounting
Bracket(Indoor)



TR-SE24-A-IN

Dome Pendant Mounting Pole
500mm



TR-SE24-IN

Dome Pendant Mounting Pole
200mm



TR-UPO6-IN

Universal Pole Mounting Bracket



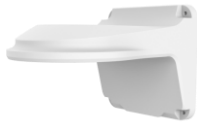
TR-JB07/WM03-G-IN-V2

Wall Mounting Assembling Bracket
For 32 Fix-dome&Mini
Fix-dome&Plastic Turret Camera



TR-WM03-D-IN-V2

Wall Mounting Bracket for 32
Fix-dome&Mini Fix-dome&Plastic
Turret Camera



TR-UC08-C-V2

Bullet&Dome Corner Mounting
Bracket



TR-UPO6-C-IN-V2

Pole Mounting Bracket for Bullet
Junction Box Only



Zhejiang Uniview Technologies Co., Ltd.



<http://www.uniview.com>



overseasbusiness@uniview.com; globalsupport@uniview.com



No. 369, Xietong Road, Xixing Sub-district, Binjiang District, Hangzhou City, 310051, Zhejiang Province, China

©2023-2025 Zhejiang Uniview Technologies Co., Ltd. All rights reserved.

*Product specifications and availability are subject to change without notice.

*Despite our best efforts, technical or typographical errors may exist in this document.

Uniview cannot be held responsible for any such errors and reserves the right to change the contents of this document without prior notice.

