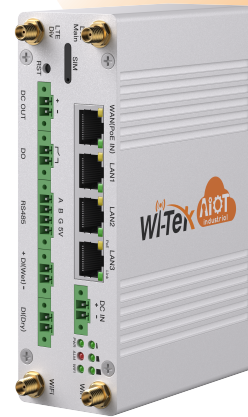


# Industrial 4G IoT Gateway

WI-IOT110  
Hardware Version: V2



## Overview

Wi-Tek Industrial 4G IoT Gateway is an industrial-grade device designed for IoT scenarios across smart manufacturing, automation, remote monitoring, and transportation. It provides stable connectivity in tough industrial environments, featuring 4G LTE, 4 Ethernet ports, Wi-Fi, DI/DO, RS485, Modbus support, and flexible DIN-Rail mounting. With robust management, it enables one-time deployment without extra equipment, perfectly meeting IoT connectivity needs.

## Features

### Dual 4G LTE

The ideal 4G LTE Gateway with Cat4 supports dual 4G SIM cards and features failover capability, providing up to 150Mbps download speed and 50Mbps upload speed while being backward compatible with 3G networks.

### IEEE 802.3af/at PoE Out

Multiple PoE Out Ports allow direct connection of cameras via a network cable, transmitting data and power to the cameras simultaneously. This greatly facilitates network solutions and application scenarios for monitoring.

### Abundant IoT Connector

With an RS485 interface, it connects with Wi-Tek solar powered switch to upload data to the Wi-Tek cloud—enabling real-time monitoring of solar power and battery status and receiving alerts on battery capacity, charging status, etc.—thereby ensuring seamless energy monitoring and boosting the operational efficiency and reliability of smart energy management. Additionally, I/O linkage events can be flexibly configured through the WEB management page, enabling better monitoring and adjustment of the environment.

Note: It can work with Wi-Tek cloud managed solar power switch with RS485, such as WI-PS306GF-UPS (V4), WI-PS306GF-UPS-15A (V2).

## OpenVPN

This gateway supports OpenVPN, enabling employees to connect remotely to their main office as securely as they do in the office.

## SD-LAN

SD-LAN(Software-defined local area network), used to quickly set up a dedicated encrypted tunnel on the public network, realizing the interconnection between each branch nodes in different regions, which enables visual management, easy deployment, high reliability and security and lower project costs.

## Din-rail Mounting

WI-IOT110 features a flexible installation mode, can be installed in complex environments, and meets project requirements.

## Cloud Management

Wi-Tek Cloud's quick installation and configuration provide reliable performance, visual management and remote access, which is easy to operate and maintain.



## Specifications

Products	WI-IOT110
Hardware Version	V2
Hardware Features	
Memory	128MB RAM 16MB Flash
Interface	1*10/100Mbps RJ45 WAN Port 3*10/100Mbps RJ45 LAN Ports 1*DO 2-PIN Phoenix Type Connector 1*DI(Wet) 2-PIN Phoenix Type Connector 1*DI(Dry) 2-PIN Phoenix Type Connector 1*12V/1.5A DC Output Phoenix Type Connector 1*12~55V DC Input Phoenix Type Connector 1*Dual-Nano SIM Card Slot
Serial Port	1*RS-485 4-PIN 2.54mm phoenix type connector, signal: A, B, GND, 5V
Antenna Connector type	2*4G LTE antenna connectors: SMA-K (screw threads outside and a hole inside) 2*2.4G Wi-Fi antenna connectors: RP-SMA-K (screw threads outside and a pin inside)
Button	1*Reset Button
Power Supply	12~55V DC IN, 48V PoE IN
PoE Out	IEEE 802.3af/at PoE *There is no PoE out when the DC input is lower than 48V
DC Out	12V/ 1.5A *There is no DC out when the DC input is lower than 15V
Power Consumption	<12W(Without PoE Out)
3G/4G MODEMS	
LTE Category	CAT.4 (150Mbps Downlink, 50Mbps Uplink)

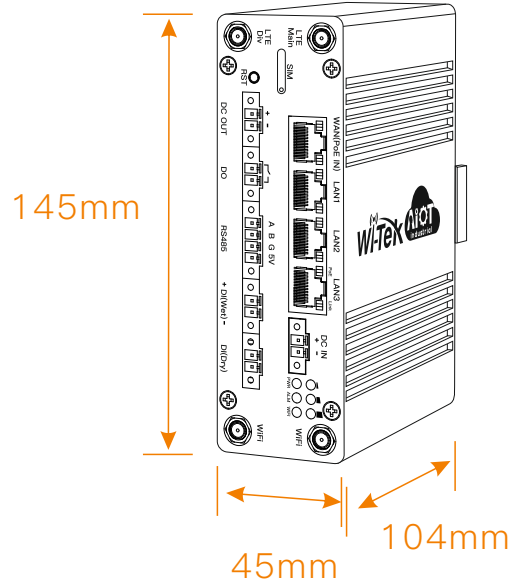
Products	WI-IOT110
Surface Treatment	<p>EU:</p> <p>LTE FDD: B1/ B3/ B5/ B7/ B8/ B20/ B28</p> <p>LTE TDD: B34/ B40/ B41</p> <p>WCDMA: B1/ B5/ B8</p> <p>GSM: B3/ B8</p> <p>CN:</p> <p>LTE FDD: B1/ B3/ B5/ B8</p> <p>LTE TDD: B34/ B38/ B39/ B40/ B41</p> <p>WCDMA: B1/ B5/ B8</p> <p>GSM: B3/ B8</p> <p>LA:</p> <p>LTE FDD: B1/ B2/ B3/ B4/ B5/ B7/ B8/ B28/ B66</p> <p>LTE TDD: B40</p> <p>WCDMA: B1/ B2/ B4/ B5/ B8</p> <p>GSM: B2/ B3/ B5/ B8</p>
Antenna Gain	5dBi Suction Cup Antenna
Wireless Features	
Wi-Fi Standards	IEEE 802.11b/g/n
Data Rates	300Mbps
MIMO	2 x 2
Antenna Gain	5dBi Suction Cup Antenna
Frequency	2.4GHz
Channel Width	20MHz, 40MHz
Max. TX Power	20dBm
Software Features	
WAN	PPPoE, DHCP client, Static IP, WAN/LAN mode switchover
Cellular	IPv6, APN, PIN Code
Link Failover	Ethernet-4G link priority, Heartbeat data setting
LAN	DHCP server setting
Firewall	WEB access control, ACL, Port mapping, DMZ, MAC binding
Wireless	Wireless enable/disable, SSID, Wireless Security, WMM, Hide SSID, Radio setting

Products	WI-IOT110
Industrial	DI/DO mode and action setting, Transparent DTU/ Modbus DTU/ TCP server DTU/ UDP server DTU/ MQTT DTU/ Modbus master/ Modbus slave serial mode
VPN	OpenVPN server, OpenVPN client
System	Firmware upgrade, configuration backup/upload, reboot, restore to factory default
Management	WEB management, Wi-Tek cloud, SD-LAN
Advance	Ping watchdog, scheduled reboot, NTP, Ping, Traceroute
Environment	Operating Temperature: -40°C to 75°C(-40°F to 167°F)(Without PoE and DC Output) Storage Temperature: -40°C to 85°C(-40°F to 185°F) Operating Humidity: 5%~95%(non-condensation) Storage Humidity: 5%~95%(non-condensation)
Others	
Certification	CE, FCC, RoHS, UKCA, RCM
Product Dimensions (LxWxH)	145*104*45mm
Packet Dimensions (LxWxH)	300*140*80mm
Product Weight	0.52kg
Packet Weight	0.99kg

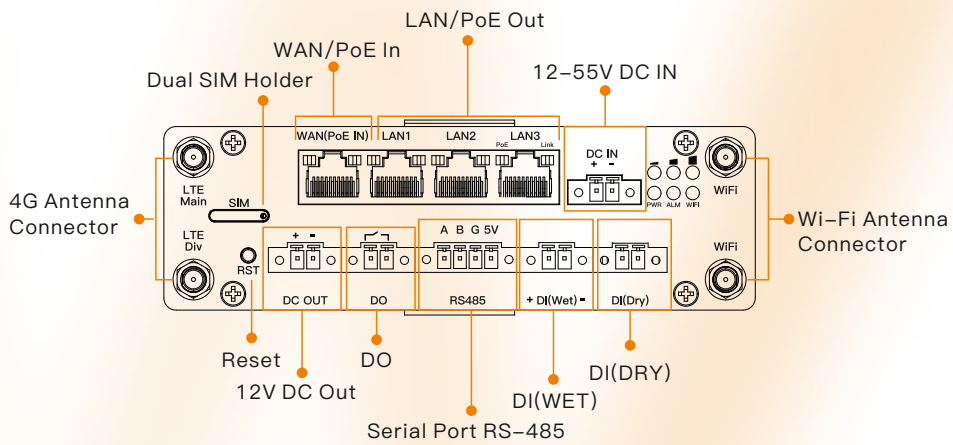
# Appearances and Dimensions

WI-IOT110

Dimensions



Front Panel



## Package Contents

Welcome to order our products. After purchasing, you will receive:

Items	Quantity
Gateway	1 pcs
Wi-Fi Antenna	2 pcs
4G Antenna	2 pcs
2-Pin Terminal Block	5 pcs
4-Pin Terminal Block	1 pcs
Din-rail installation kit	1 pcs
Quick Installation Guide	1 pcs



Wireless-Tek Technology Limited

Address: Building 3, Units 1801-1807, 1812, Huaqiang Era Plaza, Tangwei Community, Fuhai Street, Bao'an District, Shenzhen City, Guangdong Province, China.

Website: [www.wireless-tek.com](http://www.wireless-tek.com)

Tel: 86-0755-32811290

Email: [sales@wireless-tek.com](mailto:sales@wireless-tek.com)

Technical Support: [tech@wireless-tek.com](mailto:tech@wireless-tek.com)



Technical Support



Cloud Management



Company Website